

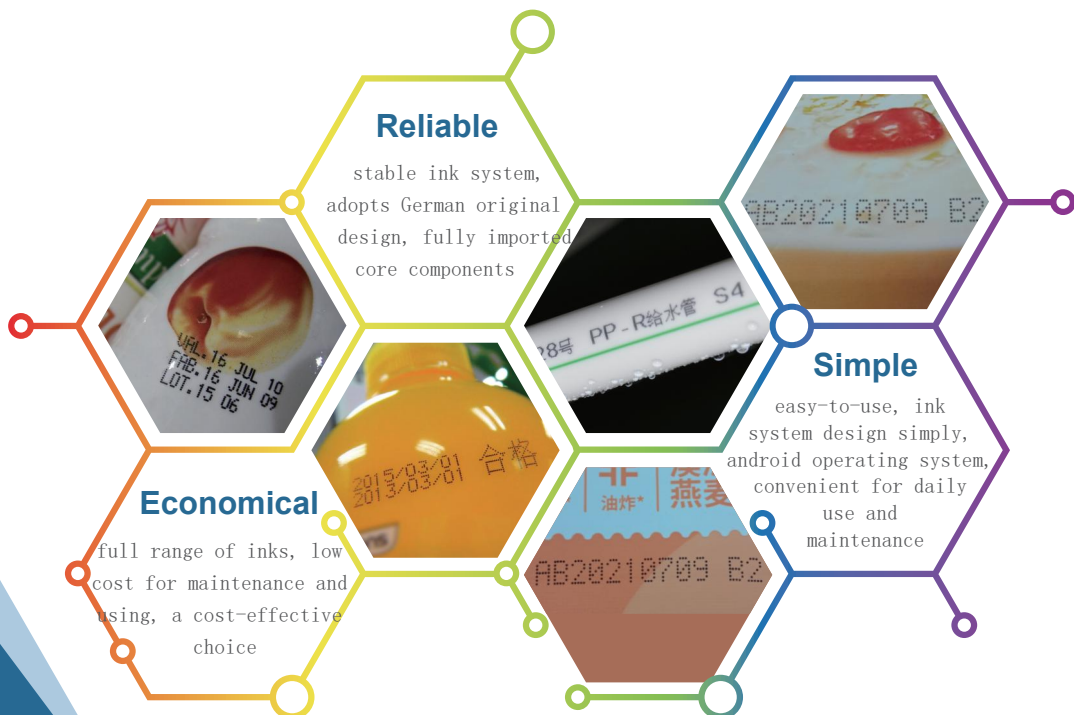
# Rottweil®

## Z-jet 470B

### small character printer



- Max printing speed up to 250 m/mins
- 70  $\mu$  Nozzles ( black ink )
- Online editing function
- Widely used in food, beverage,
- Widely used in food, beverage, chemical and construction industry, etc



## Printing features

- Production date, expiration date, batch number, graphic, logo, count, time, date, shift
- Up to 6 Chinese character fonts to choose from, and can be customized as needed
- Max printing speed: 250 meters/minute (5x5, single line)
- Directly input Chinese, Russian, English, Arabic, Persian, etc. Support vector fonts

## Interface & communication

- 10.1-inch touch screen
- Universal USB interface, plug and play.
- Easy backup/recovery of printed text and matching
- Ethernet communication interface (10/100MB)
- RS232/485 communication
- Anti counterfeiting code, variable barcode printing, QR code

## Software control

- Android operating system, simple and easy to use, stable and reliable
- User interface friendly and hanging, WYSIWYG+
- 8GB flash storage space
- The "RUN/STOP" hot key automatically switches on and off the machine
- Upgrading software through Ethernet
- Pop up regular device maintenance reminder
- Real time date and time display
- Pre set standards and multi line high-speed printing mode to meet different user needs,
- Multiple text formats: mirror flip, inverted top and bottom, reversed white, bold font, double dot spacing
- Text can add up to 3 counters and 4 shifts
- Comes with a full screen graphic editor for easy editing of graphics and logos
- OPS synchronous printing reverse compensation function
- DMS automatically calculates meter pulses
- Multi level passwords grant different users different permissions
- Multi language software interface for easy switching

## Ink type

Full range of inks, welcome to inquire

## Certification system

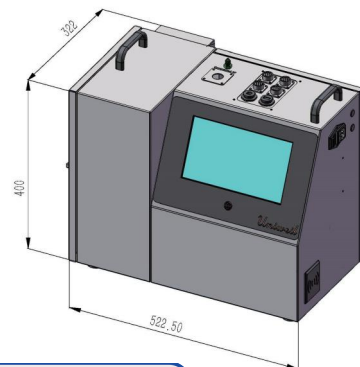
- TUV/ISO9001 Quality System
- CE (EMC, MD&LVD)

## Physical parameter

Stainless steel chassis, IP54 protection level	
Standard umbilical hose	Length 2500 mm, Diameter 20mm
Size of cabinet	H400xW523xD322mm
Size of print head	H185xW43xD48.5mm
G.W	28KG
Power supply	110-220v,50/60HZ
Electric plug, multi type available	
Working temperature	5~45 °C (35~100F)
Working humid	Max 90%, non- condensing

## Optional accessories

- Photoelectric sensor
- Encoder
- Three color alarm light
- Speed adjustable conveyor belt
- Count meter stand for cable and wire
- Solvent condensation recovery device
- Print head positive pressure pump
- Print head stand



Telephone : +27 82 419 2775  
Email : info@industrialcoding.co.za  
Website : www.industrialcoding.co.za